

Reverse Lock System

Measure the reverse lever free play. Free play, measured at the lever end near the cable (Fig. 4-17), should be within 2–4 mm (1/16–1/8 in).

To adjust, loosen the lock nut (1) and turn the adjusting nut (2). Tighten the lock nut securely.

Other Checks:

Check the reverse lever and cable for loose connections or other damage. If the cable is worn or kinked, have it replaced by your Honda dealer.

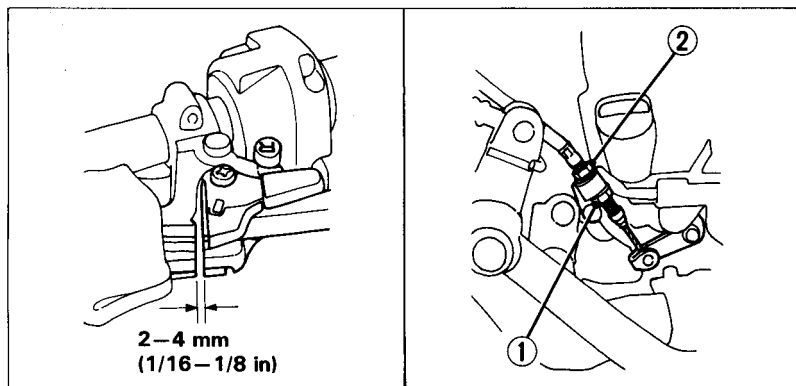


Fig. 4-17

- (1) Lock nut
- (2) Adjusting nut