

High Air Temperature

35°C (95°F) or above

1. Do not use the choke.
2. With the throttle slightly open, push the starter button.
3. Warm up the engine by opening and closing the throttle slightly.
4. If idling is unstable, open the throttle slightly.

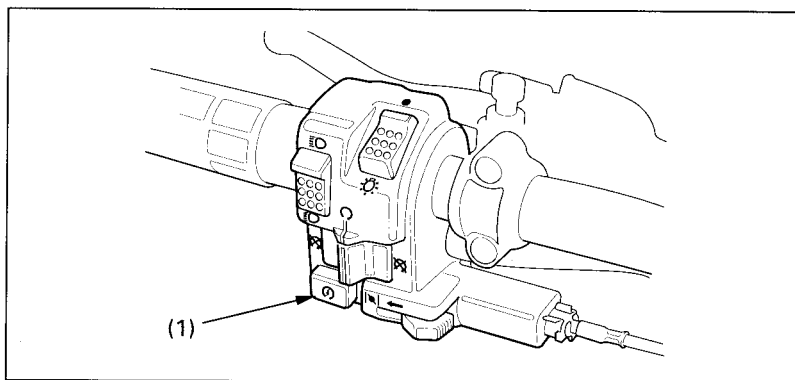


Fig. 3-10

(1) Starter button

Low Air Temperature

10°C (50°F) or below

1. Follow step 1 – 2 under "Normal Air Temperature."
2. Warm up the engine by opening and closing the throttle slightly.
3. After the engine has warmed up, move the choke lever (Fig. 3-9) right to the fully OFF. (C)
4. If idling is unstable, open the throttle slightly.

CAUTION:

- * **Extended use of the choke may impair piston and cylinder wall lubrication and shorten the life of the engine.**
- * **Do not race the engine during the warm-up period.**
Racing a cold engine wastes fuel and increases engine wear.