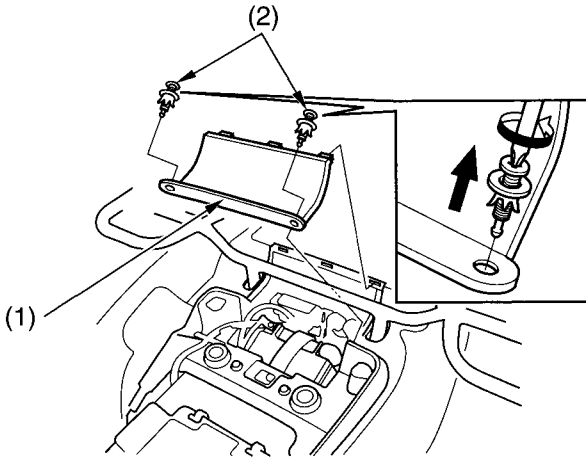


Battery

The battery is located in a compartment under the seat.

UNDER SEAT



(1) rear fender lid

(2) clips

1. Make sure the ignition switch is OFF (O).
2. Remove the seat (page 102).
3. Remove the rear fender lid (1) by removing the clips (2).