

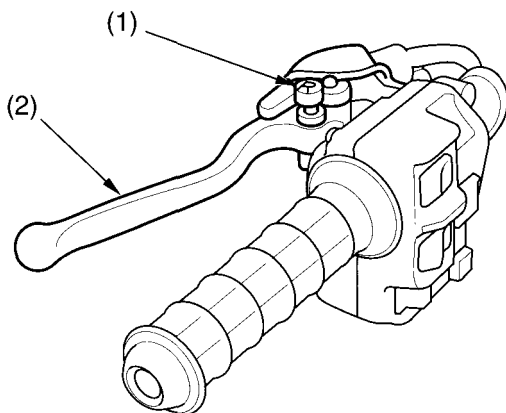
# Controls & Features

---

## Reverse Selector Knob

The reverse selector knob (1), located on the rear brake lever (2), is used to shift into reverse. To operate, with your ATV stopped and the transmission in neutral, push in the knob, squeeze the rear brake lever, then depress the gearshift pedal. See *Riding in Reverse*, page 70.

## LEFT HANDLEBAR



- (1) reverse selector knob
- (2) rear brake lever