

Reverse Selector Knob

The reverse selector knob (Fig. 2-23) (1) is on the rear brake lever.

To shift into reverse, first bring the FOURTRAX to a complete stop and make sure the transmission is in neutral. While pushing the reverse selector knob (1) in, squeeze the rear brake lever (2), then press the downshift switch (3). To shift from reverse back to neutral, press the upshift switch (4) once.

NOTE:

The transmission cannot be shifted from neutral back into reverse when the engine speed is above 3,000 rpm or the ground speed is above 2 mph (3 km/h).

CAUTION:

Bring the FOURTRAX to a complete stop before shifting the transmission into reverse. If the transmission is shifted into reverse while the vehicle is moving, the transmission will be damaged.

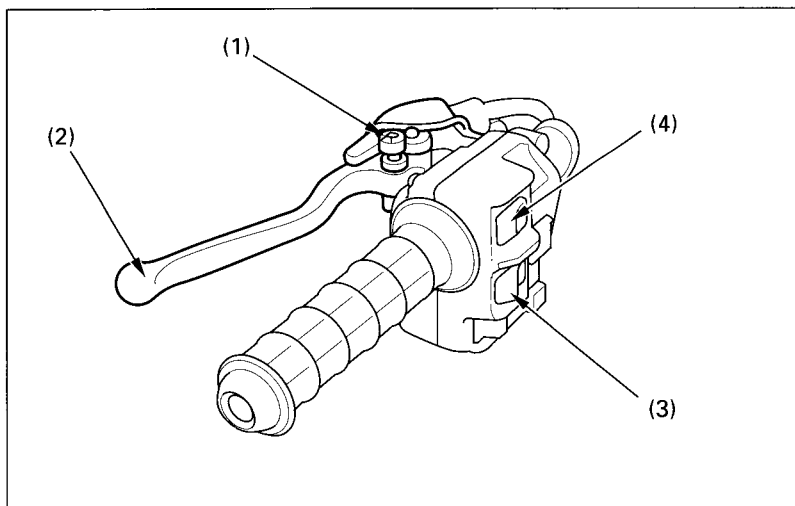


Fig. 2-23

(1) Reverse selector knob
(2) Rear brake lever

(3) Downshift switch
(4) Upshift switch