

Off-Road Only

Your FOURTRAX is designed and manufactured for off-road use only, not for pavement. Riding on pavement can affect handling and control. You should not ride your FOURTRAX on pavement.

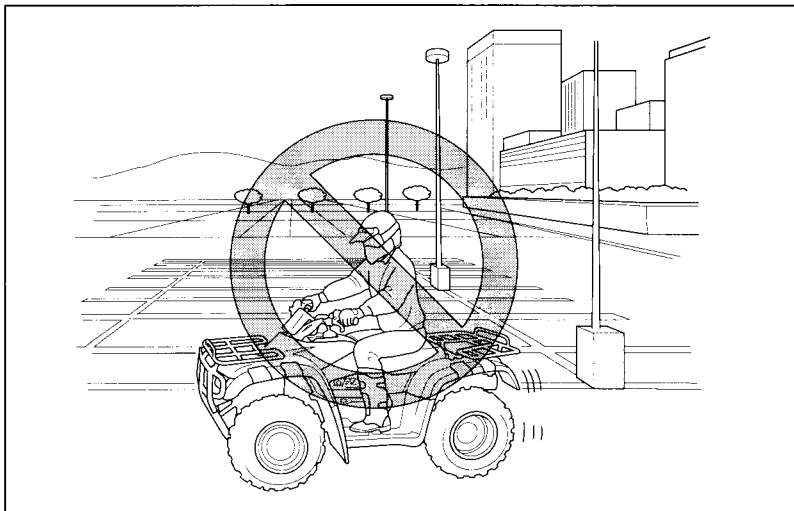


Fig. 3-3

Never ride on paved surfaces.

⚠ WARNING

POTENTIAL HAZARD

Operating this ATV on paved surfaces.

WHAT CAN HAPPEN

The ATV and its tires are designed for off-road use only, not for use on pavement. Paved surfaces may seriously affect handling and control of the ATV, and may cause the vehicle to go out of control.

HOW TO AVOID THE HAZARD

Never operate the ATV on any paved surfaces, including sidewalks, driveways, parking lots and streets.