

CARBURETOR

Choke Cable and knob

Check the condition of the choke cable (Fig. 4-7) and the operation of the choke knob (2). If the cable is damaged or kinked, have it replaced by your Honda dealer.

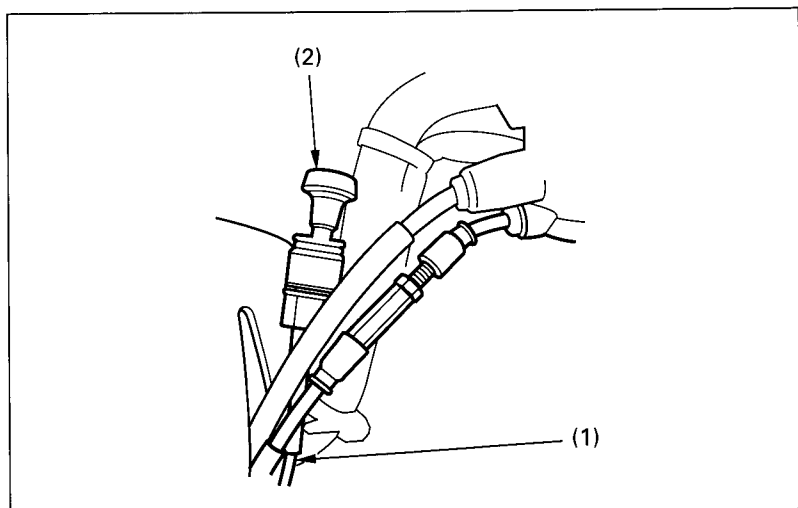


Fig. 4-7

(1) Choke cable

(2) Choke knob