

High Air Temperature

35 °C (95 °F) or above

1. Do not use the choke.
2. With the throttle slightly open, press the starter button (1).

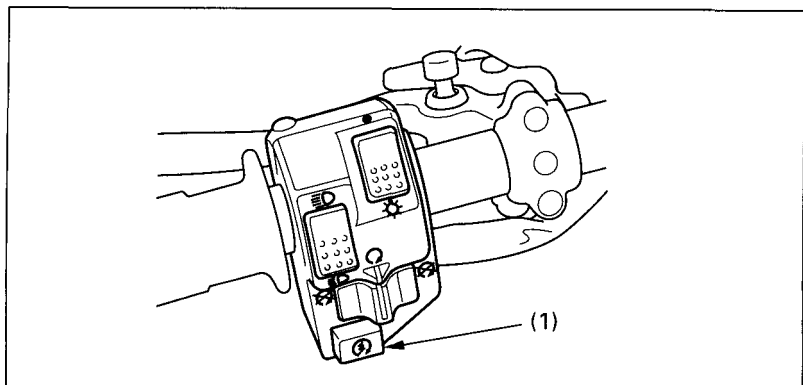


Fig. 3-10

(1) Starter button

Low Air Temperature

10 °C (50 °F) or below

Follow the procedure for "Normal Air Temperature".

NOTE:

When air temperature is below -15 °C (5 °F), push the starting primer knob two or three times (page 18).

CAUTION:

- * **Extended use of the choke may impair piston and cylinder wall lubrication and shorten the life of the engine.**
- * **Do not race the engine during the warm-up period.**
Racing a cold engine wastes fuel and increases engine wear.