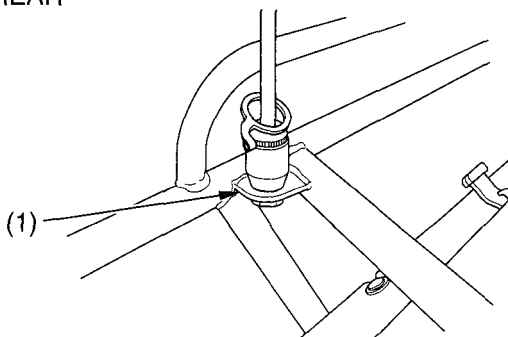


# Controls & Features

---

## Flag Pole Bracket

RIGHT REAR



(1) flag pole bracket

Flag poles are optional equipment available from your **Honda** dealer. To mount a pole in the bracket (1), follow the instructions that come with the flag pole kit.

Flag poles are required in some riding areas. Check local regulations before riding.