

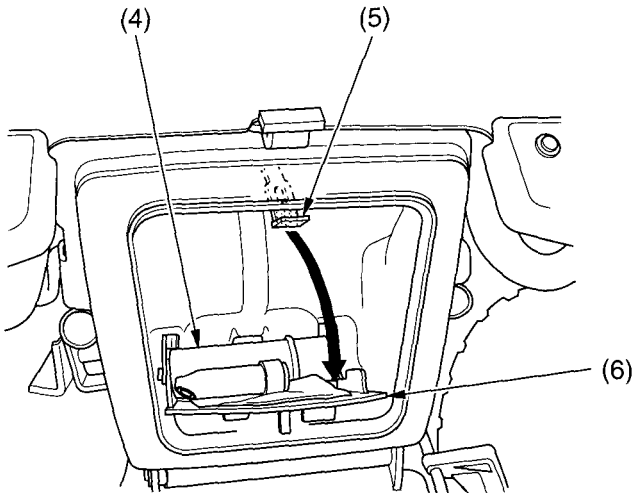
Tool Kit

To access the tool kit (4), unhook the rubber band (5) and pull down the tray (6).

The tool kit includes the following items:

- * standard/phillips screwdriver
- * screwdriver handle
- * 10 × 12 mm open end wrench
- * 14 × 17 mm open end wrench
- * spark plug wrench and handlebar
- * pliers
- * tool case

REAR



(4) tool kit
(5) rubber band

(6) tray