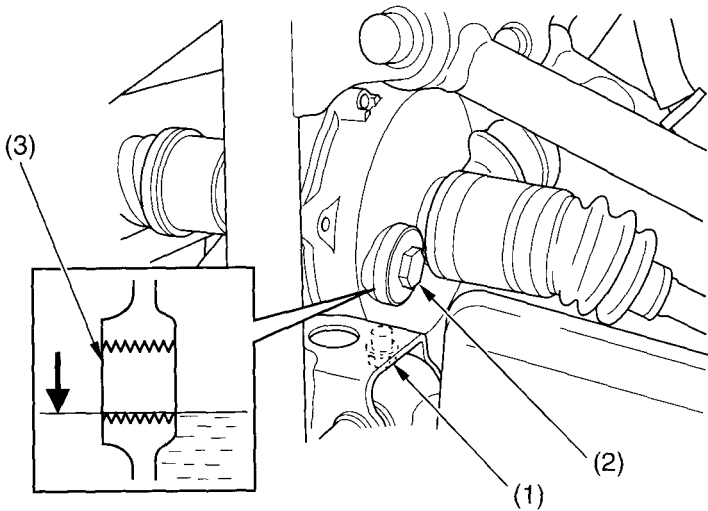


# Differential Oil

1. Park the ATV on level ground.
2. Place an oil drain pan under the oil drain plug ( 1 ).
3. Remove the oil filler cap ( 2 ) and the drain plug.
4. After the oil has completely drained, reinstall the drain plug and tighten it to the specified torque:  
**9 lbf·ft ( 12 N·m , 1.2 kgf·m )**
5. Fill the differential with the recommended oil.  
**8.2 US oz ( 241 cm<sup>3</sup> )**

Make sure the oil level is at the lower edge of the oil filler inspection hole ( 3 ).

6. Install the oil filler cap.



(1) oil drain plug  
(2) oil filler cap

(3) oil filler inspection hole