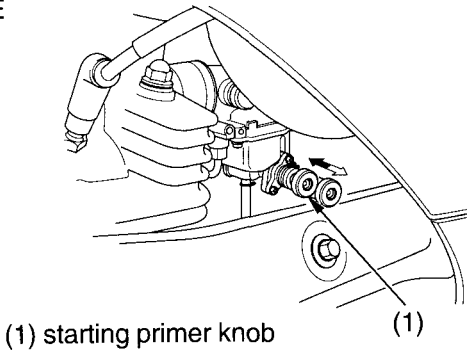


# Controls & Features

---

## Starting Primer Knob

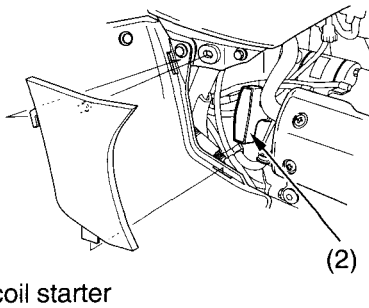
LEFT SIDE



The starting primer knob (1) is located on the carburetor float bowl. The knob may be used when starting the engine in extremely cold weather ( $-15^{\circ}\text{C}$ ,  $5^{\circ}\text{F}$ ). See *Starting Procedure*, page 61 .

## Recoil Starter

RIGHT SIDE



The recoil starter (2) is used to start the engine when the battery is low. See *Using the Recoil Starter*, page 65 .