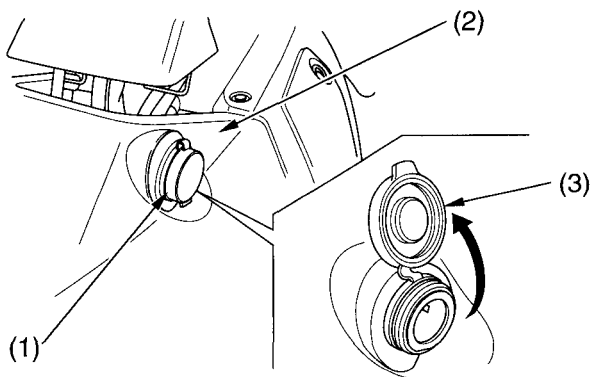


# Controls & Features

---

## Accessory Socket

### LEFT FRONT FENDER



(1) accessory socket  
(2) front fender

(3) cap

The accessory socket (1) is attached to the left side of the front fender (2). You can use the accessory socket to power a trouble light, spotlight, CB radio, or cell phone, etc.

### NOTICE

*Do not plug in any heat-generating accessory such as an automobile cigarette lighter because it can damage the socket.*

To use the accessory socket, turn the ignition switch ON (|) to start the engine. Then turn the headlights OFF (●), and open the accessory socket cap (3).