

7. Soak the air cleaner in Pro Honda Foam Filter Oil or an equivalent [Canadian Vehicles: gear oil (SAE 80–90)] until saturated, then squeeze out the excess oil.

**CAUTION:**

**Twisting the air cleaner when squeezing out excess oil could damage the air cleaner.**

8. Reassemble by reversing the disassembly sequence.

**Dust cover**

If the dust cover ( 1) (Fig. 4-6) is dirty, clean it.

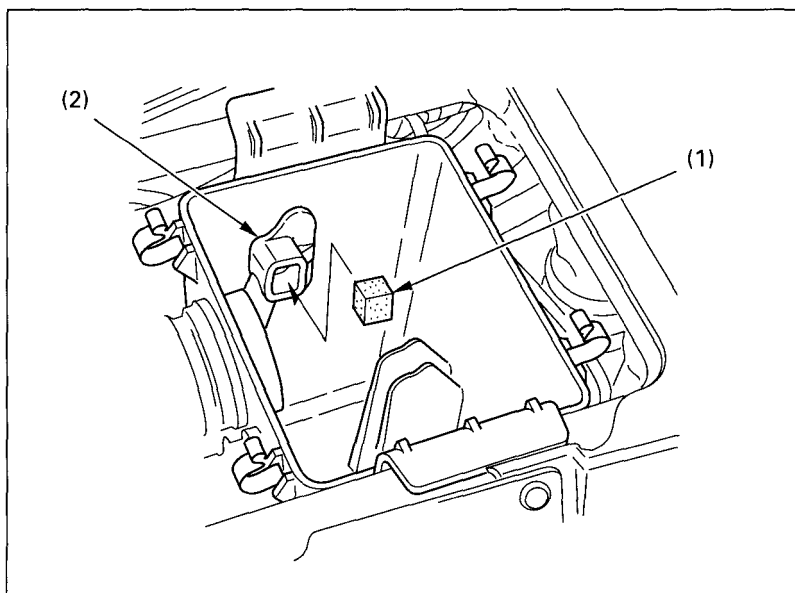


Fig. 4-6 (1) Dust cover  
(2) Breather joint