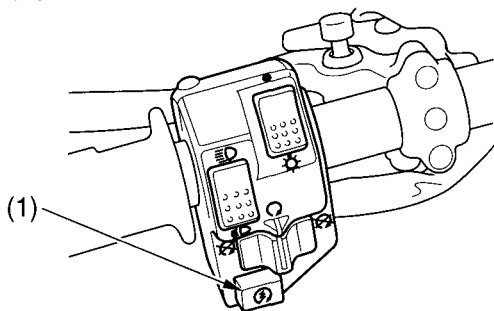


# Starting & Stopping the Engine

---

High Air Temperature 35°C (95°F) or above

LEFT HANDLEBAR



(1) start button

1. Do not use the choke.
2. With the throttle slightly open, press the start button ( 1 ).

Low Air Temperature 10°C (50°F) or below

Follow the procedure for “*Normal Air Temperature.*”

When air temperature is below  $-15^{\circ}\text{C}$  ( $5^{\circ}\text{F}$ ), push the starting primer knob two or three times (page 27 ).

## NOTICE

*Extended use of the choke may impair piston and cylinder wall lubrication and shorten the life of the engine.*

Do not race the engine during the warm-up period.  
Racing a cold engine wastes fuel and increases engine wear.