

REAR

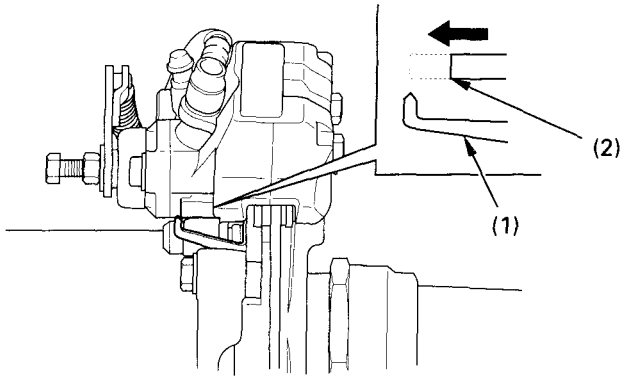


Fig. 4-27 (1) Wear indicator

(2) Edge of reference mark

Other Checks:

1. Make sure there are no fluid leaks.
 2. Check for deterioration or cracks in the hose and fittings.
 3. The rear brake pedal pivot must be inspected according to the **Maintenance Schedule**.
- See your authorized Honda dealer for this service.