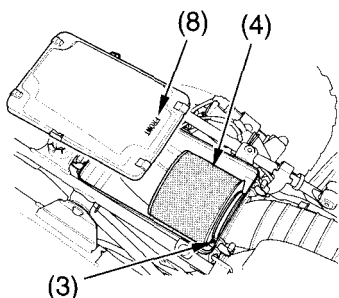


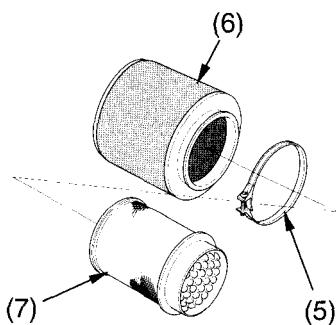
Air Cleaner

9. Allow the air cleaner to dry thoroughly before applying oil. A wet air cleaner will not fully absorb the oil.
10. Pour clean Pro Honda Foam Filter Oil or an equivalent (Canada: Honda Foam Filter Oil or an equivalent) over the entire surface of the air cleaner. Use both hands to evenly spread the oil into the air cleaner. Gently squeeze out any excess oil. (To keep your hands dry, place the air cleaner in a clean plastic bag before spreading the oil into the air cleaner.)

UNDER SEAT



- (3) screw
- (4) air cleaner assembly
- (5) clamp



- (6) air cleaner
- (7) air cleaner body
- (8) FRONT mark

11. Install the air cleaner on the air cleaner body.
12. Apply a thin coat of grease to the sealing surface of the air cleaner assembly.
13. Install the clamp.
14. Insert the air cleaner assembly into the air cleaner housing.
15. Install the air cleaner assembly screw.
16. Reassemble by reversing the disassembly sequence.
 - Install the air cleaner housing cover with the FRONT mark (8) facing forward.