

## ADDITIONAL FEATURES

### Helmet Holder

The helmet holder (1), (Fig.2-20) is a hook below left side of the handlebar cover (2). To use the holder, hang the D-ring on your helmet strap over the hook. Use the helmet holder only when the FOURTRAX is parked.

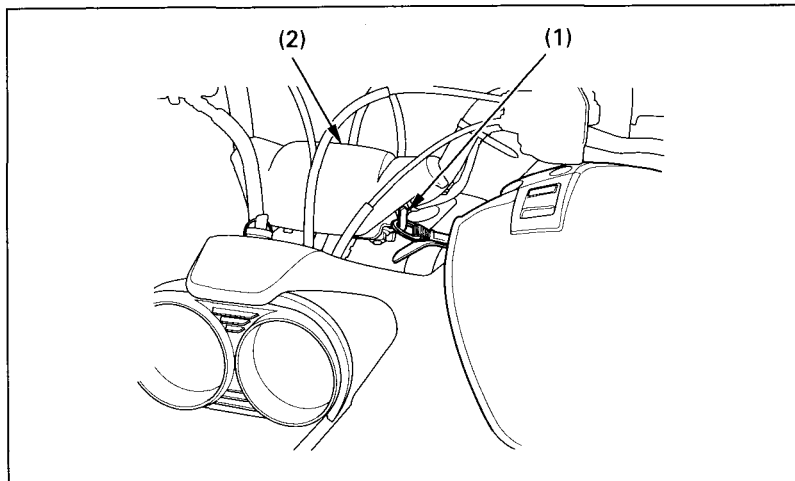


Fig. 2-20

(1) Helmet holder  
(2) Handlebar cover

## **⚠ WARNING**

### **POTENTIAL HAZARD**

**Operating this ATV with a helmet attached to the helmet holder.**

### **WHAT CAN HAPPEN**

**Can impair your ability to steer the vehicle.**

### **HOW TO AVOID THE HAZARD**

**Never ride this ATV with a helmet attached to the helmet holder.  
Use the helmet holder only while the ATV is parked.**