

3. Loosen the screw on the clamp (2) (Fig. 4-6) and remove the air cleaner assembly (1) from the case.
4. Unscrew the clamp (2).
5. Remove the air cleaner (3) from the air cleaner body (4).

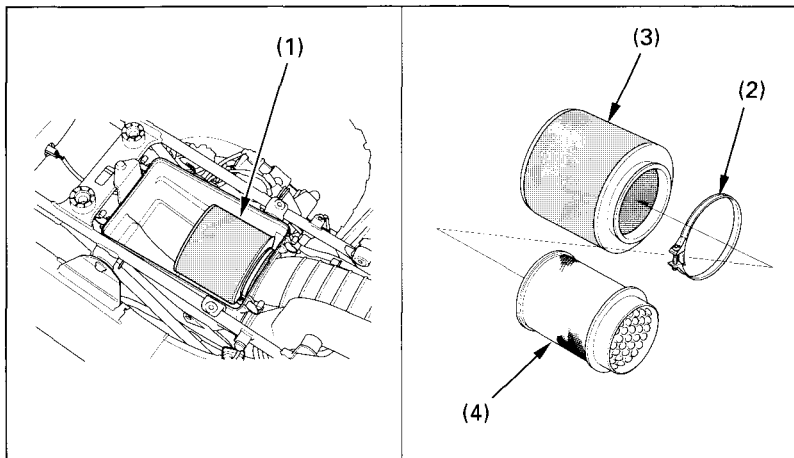


Fig. 4-6 (1) Air cleaner assembly  
(2) Clamp

(3) Air cleaner  
(4) Air cleaner body