

- (28) Fuel valve
- (29) Starting primer knob
- (30) Storage compartment, containing:
  - Tool kit
  - Air pressure gauge
  - Owner's Manual
- (31) Gearshift pedal
- (32) Oil filler cap/dipstick
- (33) Left footpeg
- (34) Trailer hitch

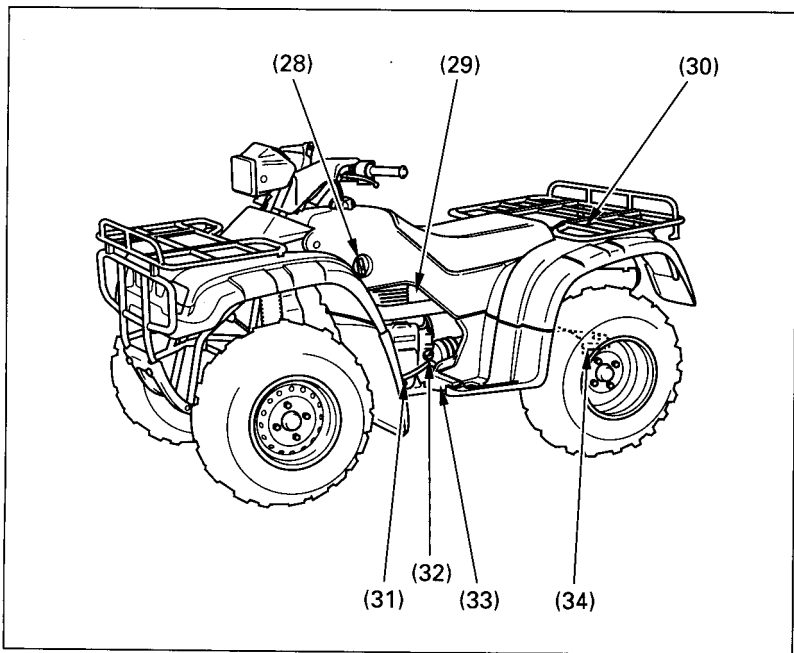


Fig. 2-4

Left side of FOURTRAX