




LIGHTS

Headlight and Dimmer Switches

The headlight and dimmer switches (Fig. 2-13) are above the engine stop switch, next to the left handgrip.

Turning the headlight switch (1)  (ON) turns the headlight and assist headlight on. Use the dimmer switch (2) to select either high beam  (HI) or low beam  (LO) for the headlights.

The dimmer switch will not change the assist headlight beam.

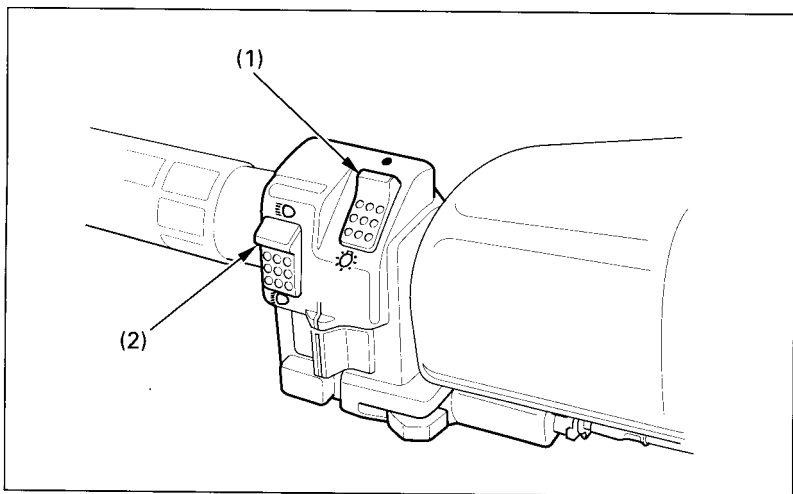


Fig. 2-13 (1) Headlight switch (2) Dimmer switch

Oil High Temperature Indicator Lamp

If the engine oil gets too hot, the oil high temperature indicator lamp (Fig. 2-14) will light.

NOTE:

The oil high temperature indicator lamp should come on when the ignition switch is turned I (ON). This is not a problem. The light should go off a few seconds after the engine is started.

CAUTION:

If the light does not come on with ignition switch I (ON): check the bulb and replace it if it is burned out.

Contact your authorized Honda dealer for assistance if you cannot correct the problem.