

STARTING THE ENGINE

Preparation

1. Select a level surface and lock the parking brake (page 27) before starting the engine.
2. Turn the fuel valve (1) and ignition switch (2) to I (ON).
3. Make sure the engine stop switch (3) is at O (RUN).
4. Make sure that the transmission is in neutral by checking that the neutral indicator lamp (4) lights.

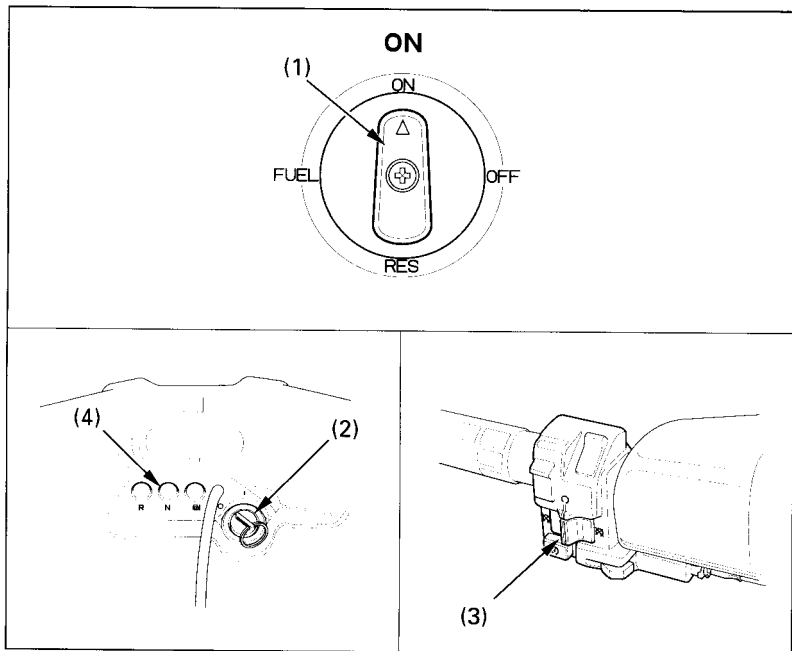


Fig. 3-8

(1) Fuel valve
(2) Ignition switch

(3) Engine stop switch
(4) Neutral indicator lamp