



## If a Fuse Blows

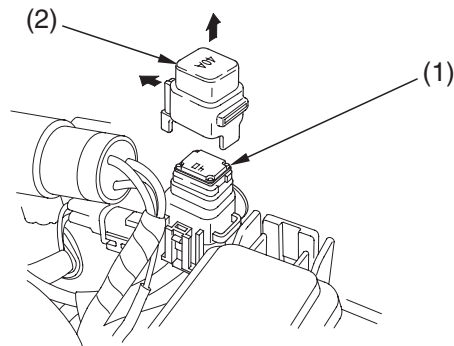
### *PS (Electric Power Steering) Fuse Access (TRX420FPA only)*

1. Turn the ignition switch OFF (  $\bigcirc$  ) before checking the fuse.
2. Remove the seat (page 106 ).
3. Remove the rear fender cover (page 125 ).
4. To access the PS fuse ( 1 ), remove the PS fuse box cover ( 2 ).

If the PS fuse is blown, see your Honda dealer for this service.

5. Install the PS fuse box cover.
6. Install the seat.

### UNDER REAR FENDER COVER



(1) PS fuse

(2) PS fuse box cover