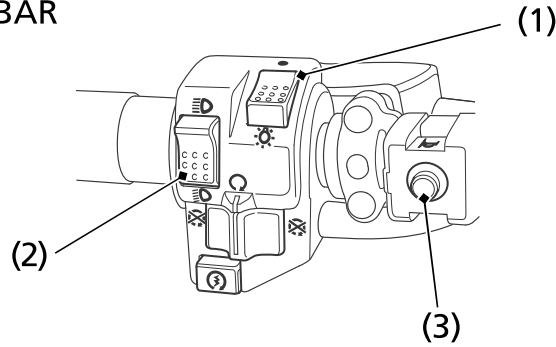


Controls & Features

Headlight Switch



LEFT HANDLEBAR



- | | |
|-----------------------------|-------|
| (1) headlight switch | ☀ ON |
| | ● OFF |
| (2) headlight dimmer switch | ≡D HI |
| | ≡D LO |
| (3) horn button | |

The headlight switch (1) is used to turn the headlights ON (☀) or OFF (●). To operate, turn the switch to ON (☀) or OFF (●).

Headlight Dimmer Switch



The headlight dimmer switch (2) is used to change between the high and low beams of the headlight. To operate, turn the switch to HI (≡D) for high beam, LO (≡D) for low beam.

Horn Button



Press the horn button (3) to sound the horn.