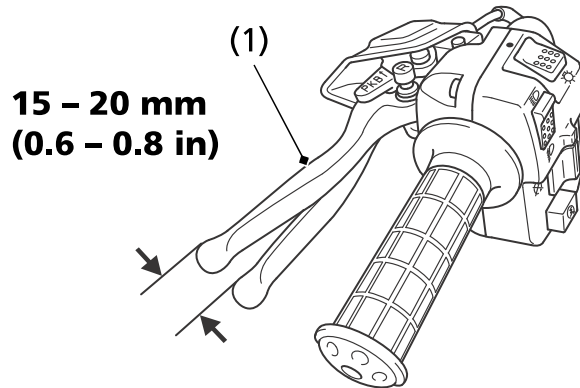


# Brakes

## Rear Brake Lever Freeplay

### LEFT HANDLEBAR



(1) rear brake lever/parking brake lever

#### Inspection

Measure the distance the rear brake lever/parking brake lever (1) moves before the brake starts to take hold. Freeplay (measurement at the tip of the end of the brake lever) should be:

**15 - 20 mm (0.6 - 0.8 in)**

If necessary, adjust to the specified range.