

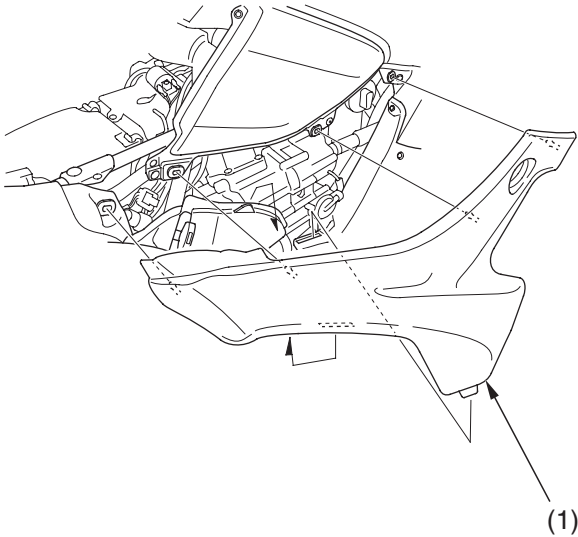
# Engine Oil & Filter

---

*Install a New Engine Oil Filter:*

1. Remove the seat (page 100).
2. Unsnap and remove the right side cover (1).

RIGHT SIDE



(1) right side cover

(cont'd)