

# Tool Kit

---

The tool kit ( 1 ) and the gear change tool ( 2 ) are stored in the storage compartment (page 99 ) below the rear cargo rack.

The tools in the kit are sufficient to perform routine maintenance and simple repairs. Any extensive work requiring additional tools should be performed by your Honda dealer.

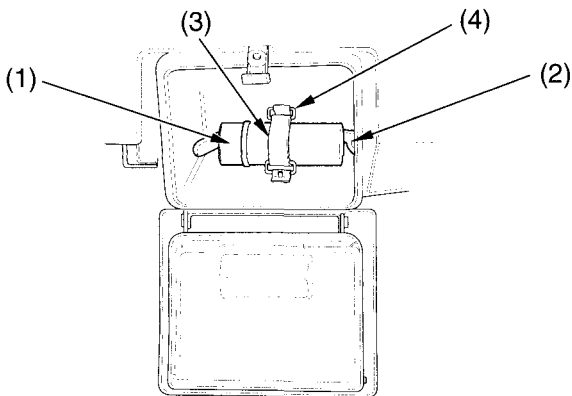
The tool kit is held by rubber strap ( 3 ).

To remove the rubber strap, unhook the ring ( 4 ).

The tool kit includes the following items:

- \* standard/Phillips screwdriver
- \* screwdriver handle
- \* 10 × 12 mm open end wrench
- \* 14 × 17 mm open end wrench
- \* spark plug wrench and handlebar
- \* pliers
- \* tool case

REAR



(1) tool kit

(2) gear change tool

(3) rubber strap

(4) ring