

- (29) Accessory socket
- (30) Fuel valve
- (31) Starting primer knob
  - Storage compartment, containing:
    - Tool kit
    - Air pressure gauge
- (32) Owner's Manual
- (33) Gearshift pedal
- (34) Oil filler cap/dipstick
- (35) Left footpeg
- (36) Trailer hitch

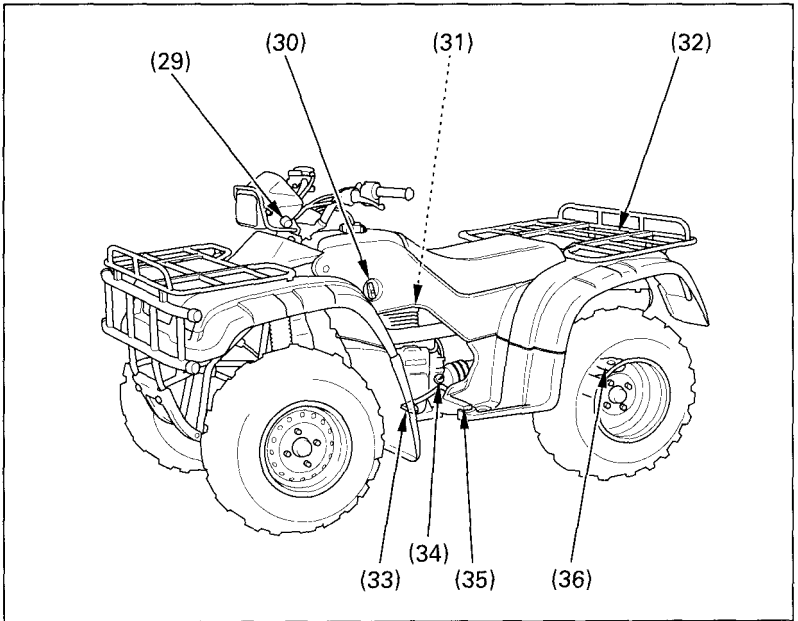


Fig. 2-4

Left side of FOURTRAX