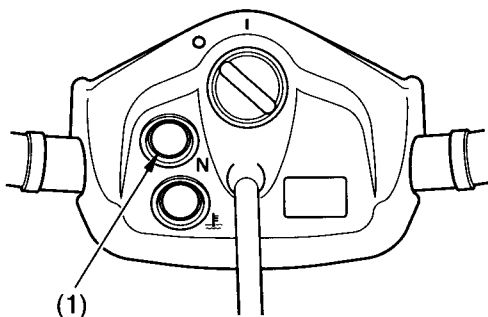


Indicators

Neutral Indicator (TRX450ER only)

CENTRE OF HANDLEBAR



(1) neutral indicator

The neutral indicator will light when the transmission is in neutral and the ignition switch is ON (I).

If the indicator does not come on when it should, have your Honda dealer check for a burned-out bulb or other problems.