

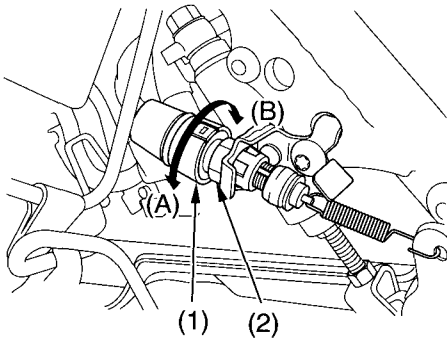
## Brakelight Switch Adjustment

Refer to *Safety Precautions* on page 77 .

### Rear Brake Only:

Check the operation of the rear brakelight switch ( 1 ) at the right side behind the engine from time to time. The brakelight should turn on at 15 mm (0.6 in) of pedal stroke. Remove the right side mudguard (see page 140 ) Adjustment is done by turning the adjusting nut ( 2 ). Turn the nut in direction (A) if the switch operates too late and in direction (B) if the switch operates too soon.

### RIGHT SIDE



(1) brakelight switch

(2) adjusting nut