

Transmission Oil

Changing Transmission Oil

Refer to *Safety Precautions* on page 77 .

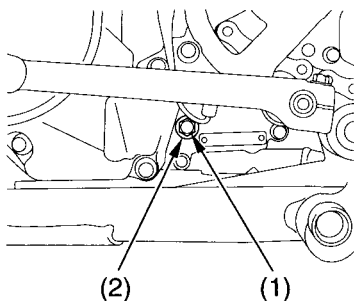
Drain the Transmission Oil:

1. Start the engine in a well-ventilated area and let it idle for 3–5 minutes. Stop the engine and wait 2–3 minutes.
2. With the ATV on level ground, remove the transmission oil filler cap from the right crankcase cover.
3. Place an oil drain pan under the crankcase and remove the transmission oil drain plug (1) and sealing washer (2).
4. Pour the drained oil into a suitable container and dispose of it in an approved manner (page 178).

NOTICE

Improper disposal of drained fluids is harmful to the environment.

LEFT SIDE CRANKCASE



(1) transmission oil drain plug

(2) sealing washer