

- (28) Accessory socket
- (29) Fuel valve
- (30) Starting primer knob
- (31) Storage compartment, containing:
  - Tool kit
  - Air pressure gauge
  - Owner's Manual
- (32) Gearshift pedal
- (33) Oil filler cap/dipstick
- (34) Left footpeg
- (35) Trailer hitch

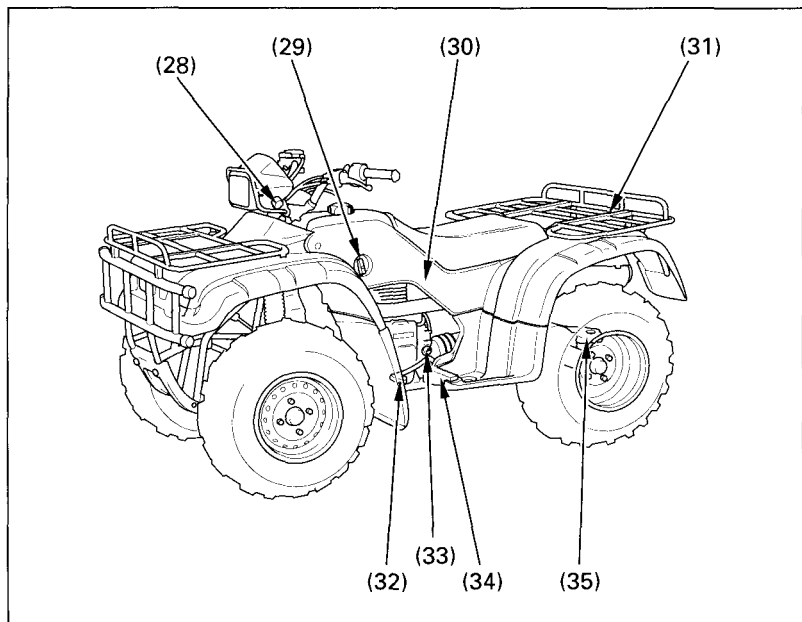


Fig. 2-4

Left side of FOURTRAX