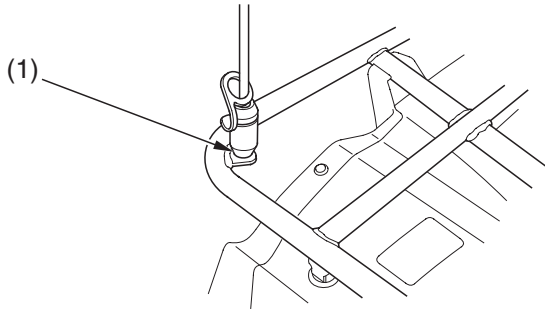




Controls & Features

Flag Pole Bracket

RIGHT REAR



(1) flag pole bracket



Flag poles are optional equipment available from your Honda dealer. To mount a pole in the bracket (1), follow the instructions that come with the flag pole kit.

Flag poles are required in some riding areas. Check local regulations before riding.

