



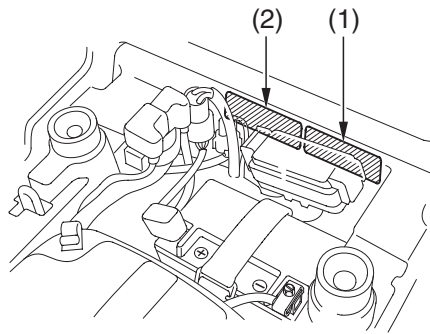
Emission Control Systems

Exhaust Emission Requirements

The U.S. Environmental Protection Agency (EPA), the California Air Resources Board (CARB), and Environment Canada (EC) require that your ATV comply with applicable exhaust emissions standards during its useful life, when operated and maintained according to the instructions provided.

The Vehicle Emission Control Information Label (1) (2) is attached on the rear fender near the battery.

UNDER SEAT



- (1) vehicle emission control information label
- (2) vehicle emission control information label (Canada only)

