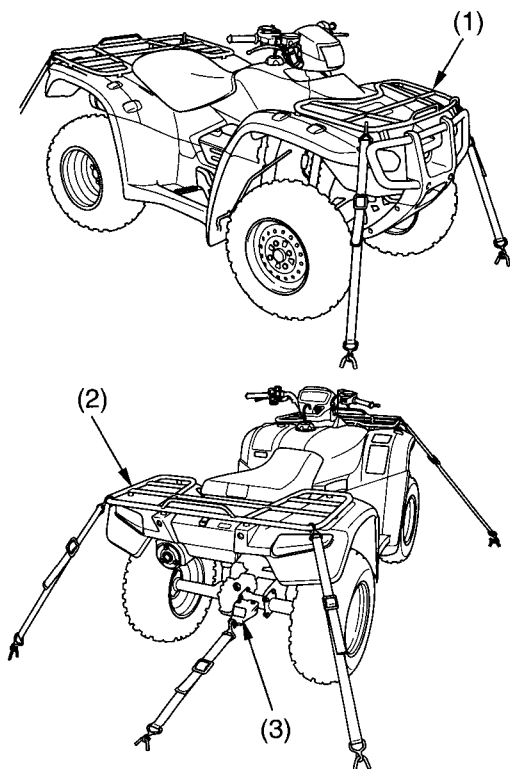


# Transporting Your Honda

---

- Secure the vehicle with “tie-down straps” in the areas shown.
  - Suitable “tie-down straps” are available from your Honda dealer.
  - Ordinary rope is not recommended because it can stretch under load.
  - Using “tie-down straps” in any other areas can damage your ATV.
- Rock the vehicle back and forth to make sure the “tie-down straps” are tight and the vehicle is secure.



(1) front cargo rack  
(2) rear cargo rack

(3) trailer hitch