

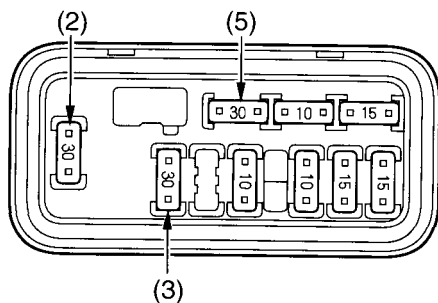
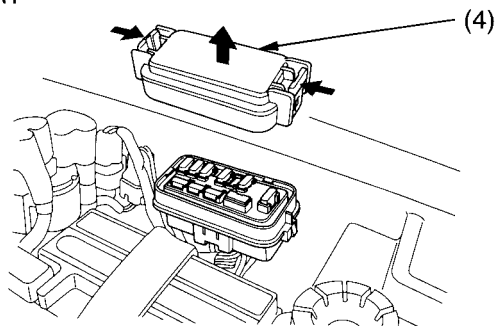
# If a Fuse Blows

---

## Main Fuse Access

1. To prevent an accidental short circuit, turn the ignition switch OFF ( ○ ) before checking or replacing the fuses.
2. Remove the seat ( page 106 ).
3. To access the main fuse ( 2 ) and shift motor fuse ( 3 ), remove the fuse box cover ( 4 ).

## UNDER SEAT



(2) main fuse

(3) shift motor fuse

(4) fuse box cover

(5) spare main fuse

4. Pull the main fuse out.

If it is blown ( 1 ), install the spare main fuse ( 5 ).