

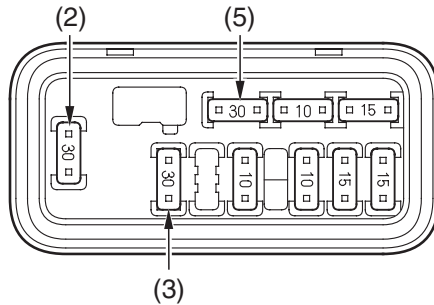
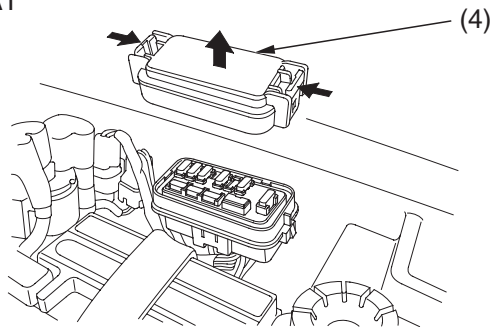


## If a Fuse Blows

### Main Fuse Access

1. To prevent an accidental short circuit, turn the ignition switch OFF (  $\bigcirc$  ) before checking or replacing the fuses.
2. Remove the seat (page 110).
3. To access the main fuse (2) and shift motor fuse (3), remove the fuse box cover (4).

### UNDER SEAT



- |                      |                     |
|----------------------|---------------------|
| (2) main fuse        | (4) fuse box cover  |
| (3) shift motor fuse | (5) spare main fuse |

4. Pull the main fuse out.  
If it is blown, install the spare main fuse (5).

### 200 Taking Care of the Unexpected

