

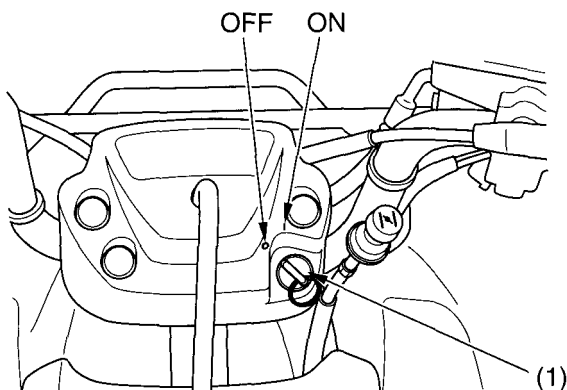
# Controls & Features

## Ignition Switch

The ignition switch (1) is used for starting and stopping the engine (page 52). Insert the key and turn it to the right for the ON ( | ) position.

Key Position	Function
ON (   )	Electrical circuits on.
OFF ( O )	No electrical circuits function.

### CENTER OF HANDLEBAR



(1) ignition switch

| ON  
O OFF