




# Safety Labels

**WARNING**



Operating this ATV if you are under the age of 16 increases your chance of severe injury or death.  
**NEVER** operate this ATV if you are under age 16.

**BRAKING INFORMATION**

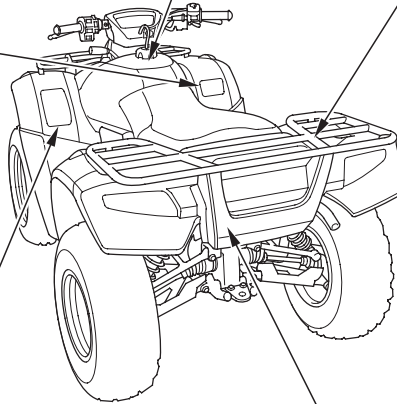
With four-wheel drive operating any brake control causes braking at both the front and rear wheels. For detailed braking information, refer to the Owner's Manual.

**WARNING**

Overloading this ATV or carrying cargo improperly can change handling, stability and braking performance and can lead to an accident.

Never exceed the maximum rear cargo limit (combined weight on the rear rack and in the storage area) of : 133lbs (60kg).

Refer to instructions in the Owner's Manual.



**WARNING**

The improper operation of ATVs may result in severe injury or death.

- Read the Owner's Manual.
- Follow all warnings and instructions.
- Never use without proper training and instruction.

While riding:

- Never ride too fast for your skills or the conditions.
- Always use proper riding techniques for hills, slopes, and rough terrain.
- Use care when changing riding surfaces. ATVs handle differently on different surfaces, such as sand, dirt, or pavement.

- Never carry a passenger, since it would affect balance and steering and may cause you to lose control.
- Avoid operating on public roads, since a collision can occur with another vehicle.
- Never ride after drinking alcohol or using drugs.
- Always wear a helmet, eye protection, and protective gear.

**WARNING**

Towing an improperly loaded trailer can cause loss of control.

- Read towing instructions in owner's manual
- Tow weight limit : **850lbs.(385kg)**
- Tongue weight : **30lbs.( 14kg)**

