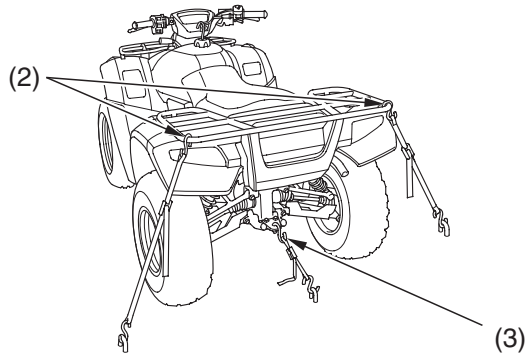
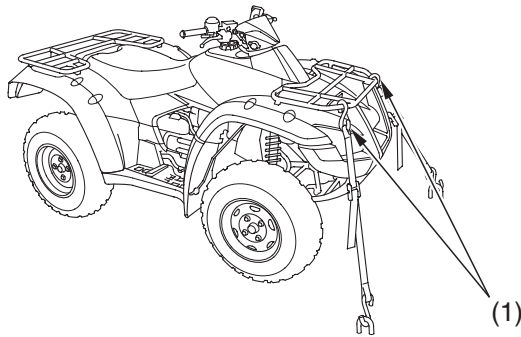




## Transporting Your Honda

2. Secure the vehicle with tie-down straps in the areas shown.
  - Suitable tie-down straps are available from your Honda dealer.
  - Ordinary rope is not recommended because it can stretch under load.
  - Using tie-down straps in any other areas can damage your ATV.
3. Rock the vehicle back and forth to make sure the tie-down straps are tight and the vehicle is secure.



(1) front cargo rack  
(2) rear cargo rack

(3) trailer hitch

**Tips 175**

