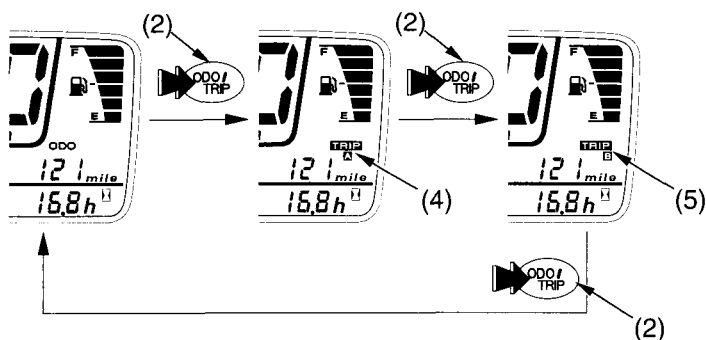


# Indicators & Displays

(For TRX680FA)

The tripmeter has two sub modes, A (4) and B (5).

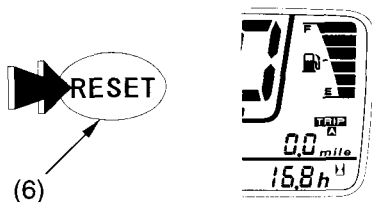
To change the display from tripmeter A or tripmeter B to odometer, press and release the odometer/tripmeter select button (2).



(4) tripmeter A

(5) tripmeter B

To reset the tripmeter to zero, press and hold the RESET button (6) for more than 2 seconds with the display in the tripmeter A or tripmeter B mode.



(6) RESET button