

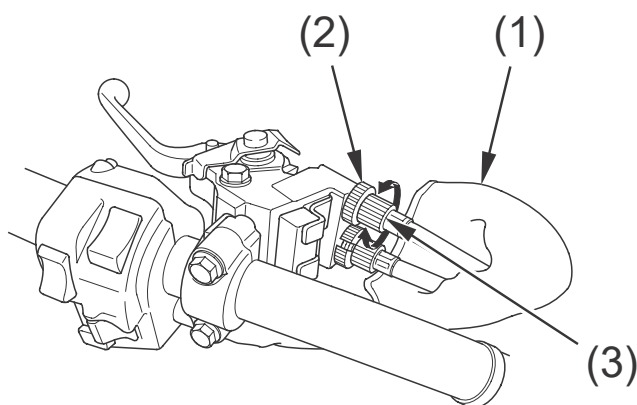
Brakes

Parking Brake Adjustment

Refer to *Safety Precautions* on page 81.

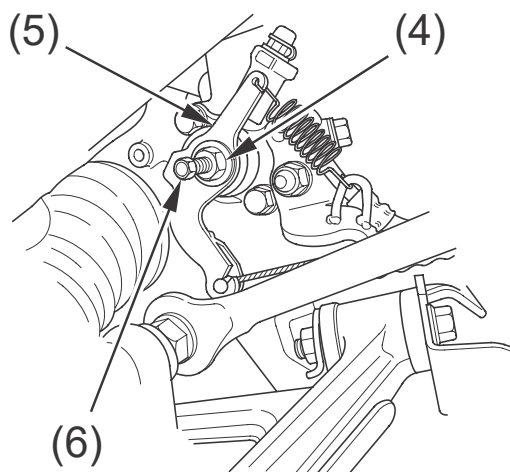
Parking brake adjustment may be required if the parking brake does not hold properly.

LEFT HANDLEBAR



- (1) dust cover
- (2) lock nut
- (3) adjuster

RIGHT REAR



- (4) lock nut
- (5) parking brake arm
- (6) adjusting bolt

1. Temporarily adjust the clutch lever/parking brake lever freeplay to more than 30 mm (1.2 in) (page 119).
2. Pull back the dust cover (1).
3. Loosen the lock nut (2) on the parking brake cable, and screw in the adjuster (3) completely.
4. Loosen the lock nut (4) on the parking brake arm (5) and turn the adjusting bolt (6) clockwise until you feel resistance.
5. Then turn the adjusting bolt 1/8 counterclockwise, and tighten the lock nut.