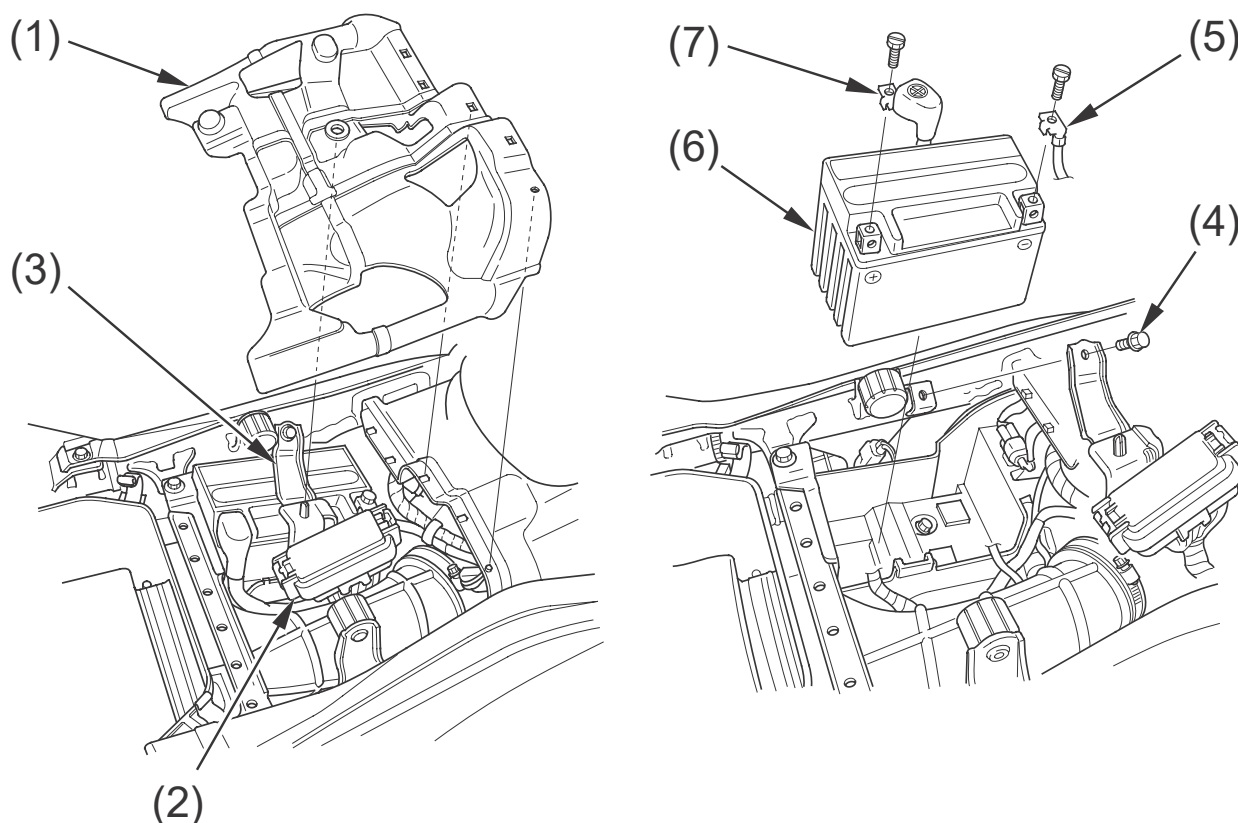


# Battery

---

The battery is located in a compartment under the seat.

## UNDER SEAT



- (1) battery cover
- (2) fuse box
- (3) battery holder

- (4) mount bolt
- (5) negative ( - ) terminal lead
- (6) battery
- (7) positive ( + ) terminal lead

### Removal

1. Make sure the ignition switch is OFF ( O ).
2. Remove the seat (page 92 ).
3. Remove the air cleaner housing cover (page 113 ).
4. Remove the battery cover ( 1 ).
5. Release the fuse box ( 2 ) from the battery holder ( 3 ).
6. Remove the battery holder by removing the mount bolt ( 4 ).
7. Disconnect the negative ( - ) terminal lead ( 5 ) from the battery ( 6 ) first, then disconnect the positive ( + ) terminal lead ( 7 ).
8. Remove the battery.