

3. Remove the set plate (4) and remove the air cleaner assembly (5) from the case.
4. Remove the air cleaner (6) from the air cleaner body (7).
5. Remove the sub air cleaner (8) from the air cleaner joint (9).

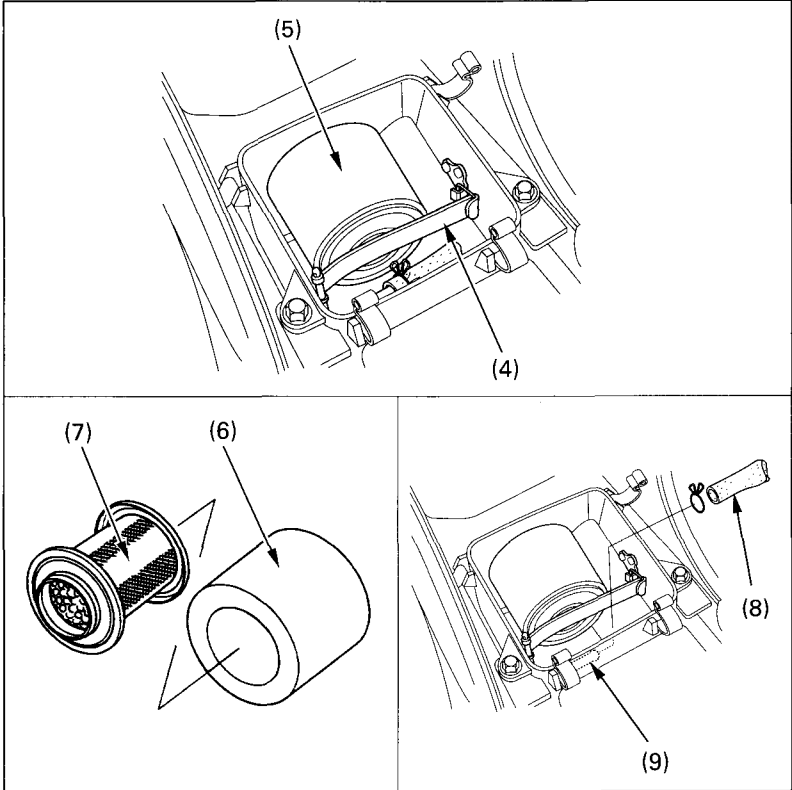


Fig. 4-6 (4) Set plate  
(5) Air cleaner assembly  
(6) Air cleaner

(7) Air cleaner body  
(8) Sub air cleaner  
(9) Air cleaner joint