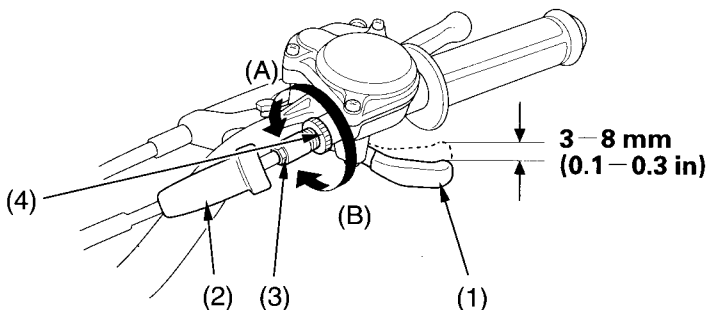


Throttle

Throttle Freeplay

Refer to *Safety Precautions* on page 84.

RIGHT HANDLEBAR



(1) throttle lever

(2) rubber sleeve

(3) throttle cable adjuster

(4) lock nut

(A) decrease freeplay

(B) increase freeplay

Inspection

Check freeplay at the throttle lever (1).

Freeplay:

3–8 mm (0.1–0.3 in)

Adjustment

1. Remove the fuel fill cap breather tube (2) from the handlebar cover.
2. Remove the two dust caps (3), the two screws (4) and the handlebar cover.

(cont'd)