

RIGHT HANDLEBAR CONTROLS

Engine Stop Switch

The engine stop switch (1) is next to the throttle grip. When the switch is in the RUN position, the engine will operate. When the switch is in the OFF position, the engine will not operate. This switch is intended primarily as a safety or emergency switch and should normally remain in the RUN position.

Headlight Switch

The headlight switch (3) has three positions, "H", "P" and "OFF" marked by a dot to the right of "P".

H: Headlight, taillight, position light and meter lights on.

P: Position light, taillight and meter lights on.

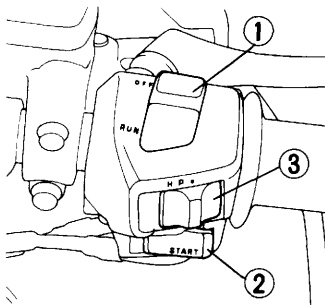
OFF (dot): Headlight, taillight, position light and meter lights off.

Starter Button

The starter button (2) is below the headlight switch (3).

When you press in the button, the starter cranks the engine.

See pages 45—46 for "Starting Procedure."



(1) Engine stop switch (3) Headlight switch
(2) Starter button