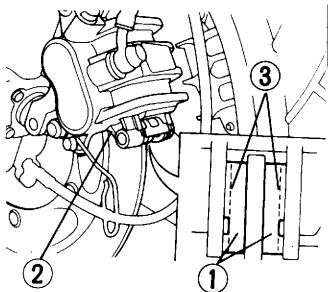


BRAKE PAD WEAR

(Refer to the maintenance precautions on page 56).

Brake pad wear will depend upon the severity of usage, type of riding and condition of the roads. The pads (1) will wear faster on dirty and wet roads. Inspect the pads visually from under the caliper (2) during all regular service intervals to determine the pad wear.

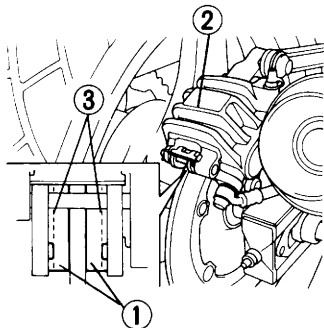


(FRONT) (1) Pads (3) Wear lines
(2) Caliper

If either pad wears to the wear line (3), both pads (1) must be replaced as a set.

NOTE:

- * Use only genuine Honda replacement friction pads offered by authorized Honda dealers. When brake service is necessary consult your Honda dealer.



(REAR) (1) Pads (3) Wear lines
(2) Caliper