

## FUSE REPLACEMENT

(Refer to maintenance precautions on page 56). The main fuse (1), located on the starter magnetic switch behind the right side cover, is 30 A.

The spare main fuse (2) is located under the starter magnetic switch.

The fuse box (4) is located inside of the right side fairing (5). The specified fuses are 10 A and 15 A.

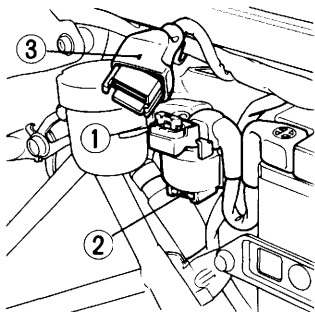
When frequent fuse failure occurs, it usually in-

dicates a short circuit or an overload in the electrical system. See your authorized Honda dealer for repair.

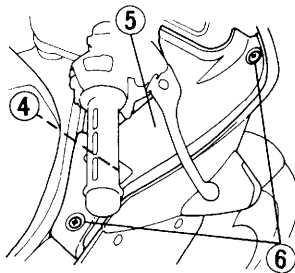
### CAUTION:

\* **Turn the ignition switch OFF before checking or replacing fuses to prevent accidental short-circuiting.**

To replace the main fuse (1), remove the right side cover, disconnect the wire connector (3) of the stater magnetic switch and pull out the old fuse. Install a new fuse and reconnect the connector.



(1) Main fuse                      (3) Wire connector  
(2) Spare main fuse



(4) Fuse box                      (6) Screws  
(5) Right side fairing