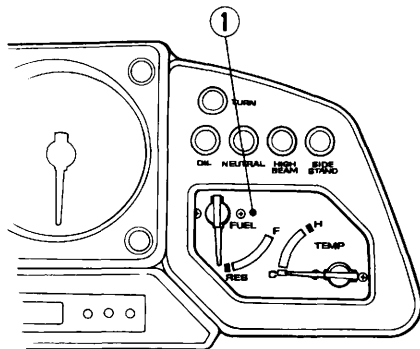


## Fuel Meter

The fuel meter (1) shows the approximate fuel supply available.

When the meter needle reaches to the first point of the red band, refill the tank as soon as possible. Capacity of the red band is about 4.5 liters (1.2 U.S. gal., 0.99 Imp. gal.)



(1) Fuel meter