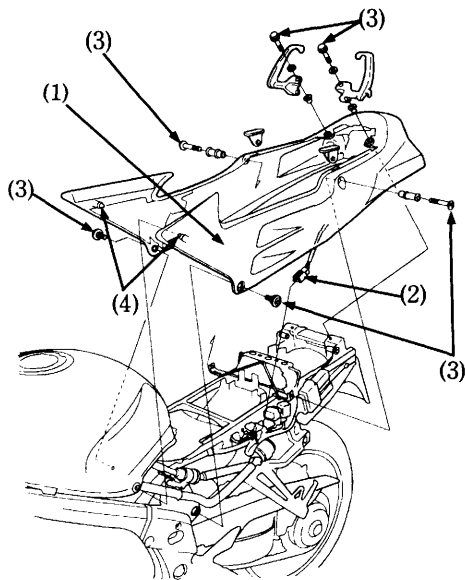


## SIDE COVER

The side cover (1) must be removed to add the rear brake fluid. To remove the side cover (1), remove the seat and disconnect the stoplight and rear turn signal light conector (2).

Remove the mounting bolts (3) and pull out both side cover tabs (4). Slide the cover upward.



(1) Side cover  
(2) Conector

(3) Bolts  
(4) Tabs